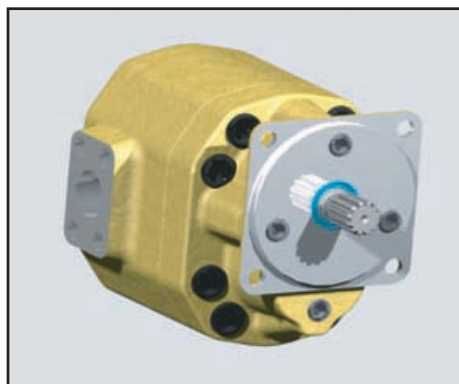


# GROUP 32

DATA

# GEAR PUMPS WARYNSKI SERIES



Model	32045	32055	32063	32072	32085	32100
Displacement [ccm/rev]	45	55	63	72	85	100
Rated pressure [MPa]	25					21
Max speed [rpm]	3000					

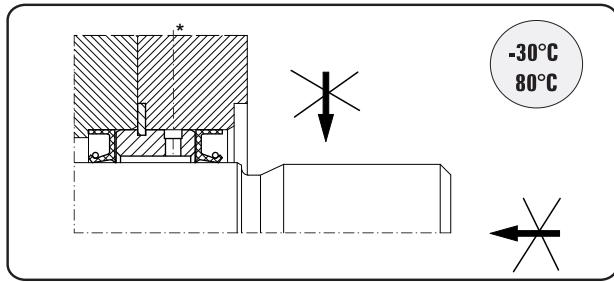
- Seal design
- Dimensions data
- Drive shaft
- Mounting flange
- Ports

## HOW TO ORDER

PUMP	SEAL DESIGN	GROUP	DISPLACEMENT [ccm/rev.]	DRIVE SHAFTS	FLANGES	PORTS	Rotation A- anticlockwise C- clockwise
W	C	32	055	C	5	A1	C
W	A C	32	045	G C	2 3 4 5	A1 B26	A C
			063				
			072				
			085				
			100				



**SEAL DESIGN**



code A, C

**CODE A**

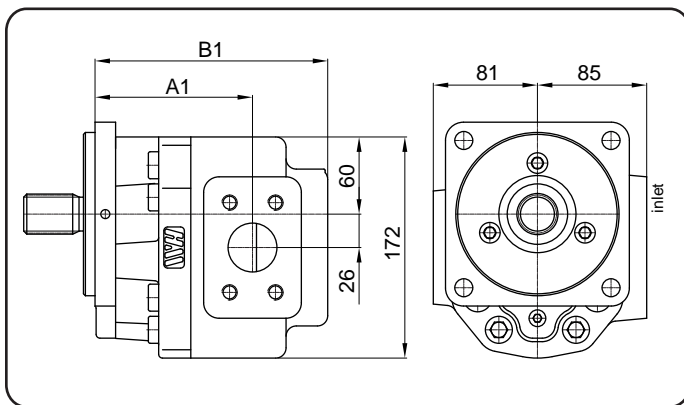
Suitable for external drives and flexible coupling

**CODE C**

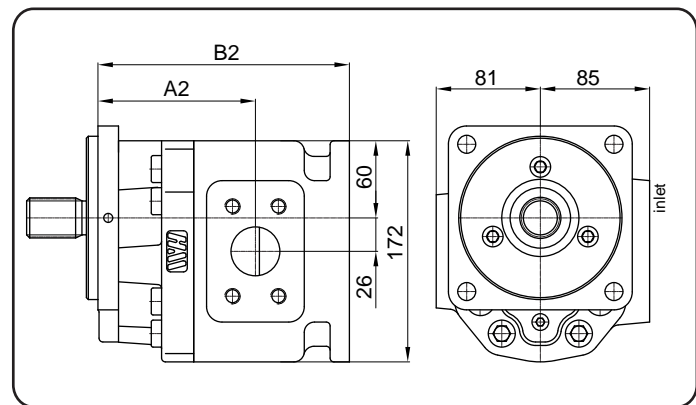
Visible-bleed drilling suitable for drives with no load for direct mounting on torque converters and gear boxes

\* leakage port

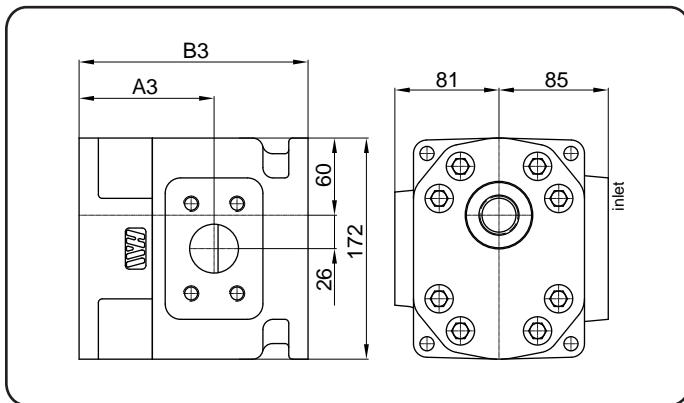
**DIMENSIONS DATA**



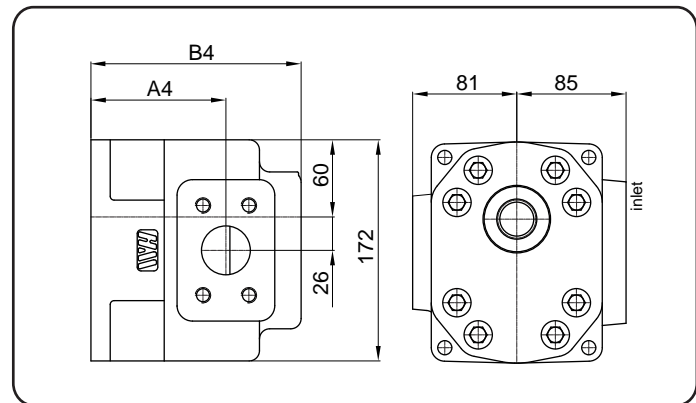
Single unit



Front unit



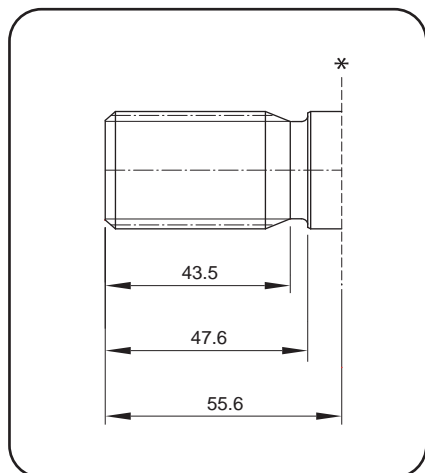
Intermediate unit



Rear unit

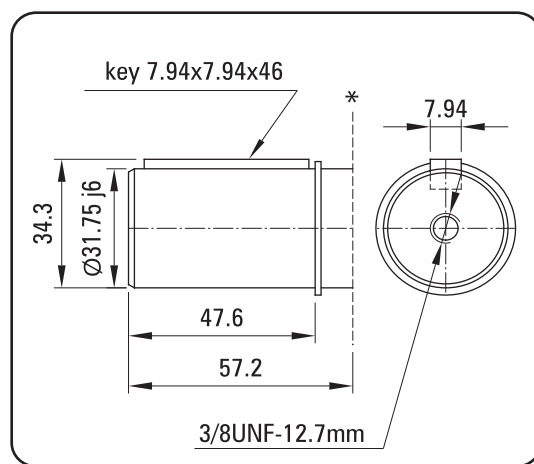
MODEL	Single unit		Front unit		Intermediate unit		Rear unit	
	A1	B1	A2	B2	A3	B3	A4	B4
32045	118	176,5	118	191	100,5	173,5	100,5	159
32055	118	176,5	118	191	100,5	173,5	100,5	159
32063	122,5	181	122,5	195,5	105	178	105	163,5
32072	127,5	186	127,5	200,5	110	183	110	168,5
32085	134	192,5	134	207	116,5	189,5	116,5	175
32100	143	201,5	143	216	125,5	198,5	125,5	184

**DRIVE SHAFTS**



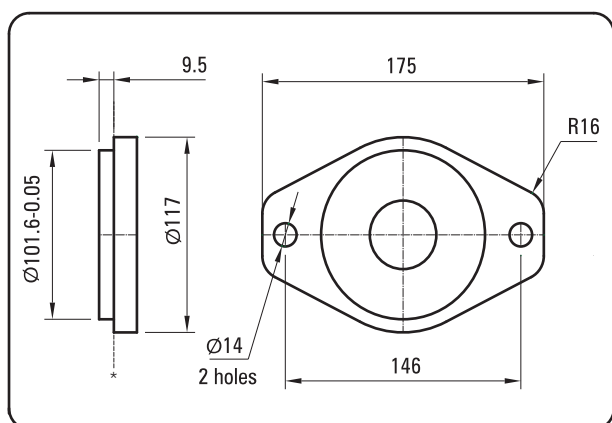
involute spilne	SAE C
side fit	flat root
diametral pitch	12/24
pressure angle	30°
number of teeth	14
major diameter	31,20/ 31,12

code C



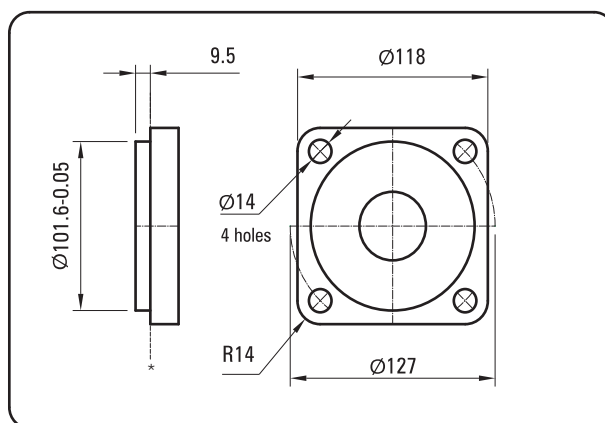
code G

**MOUNTING FLANGES**

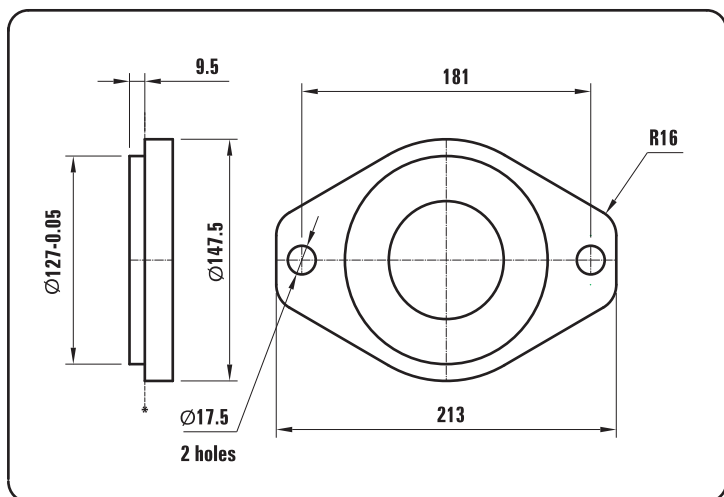


**SAE B**

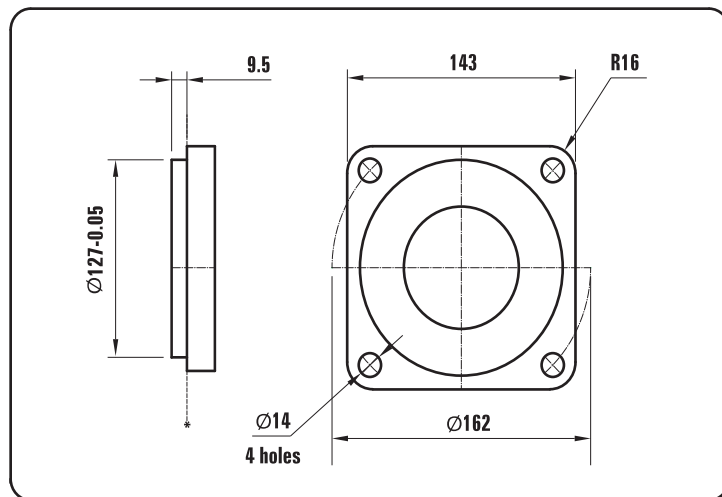
code 2



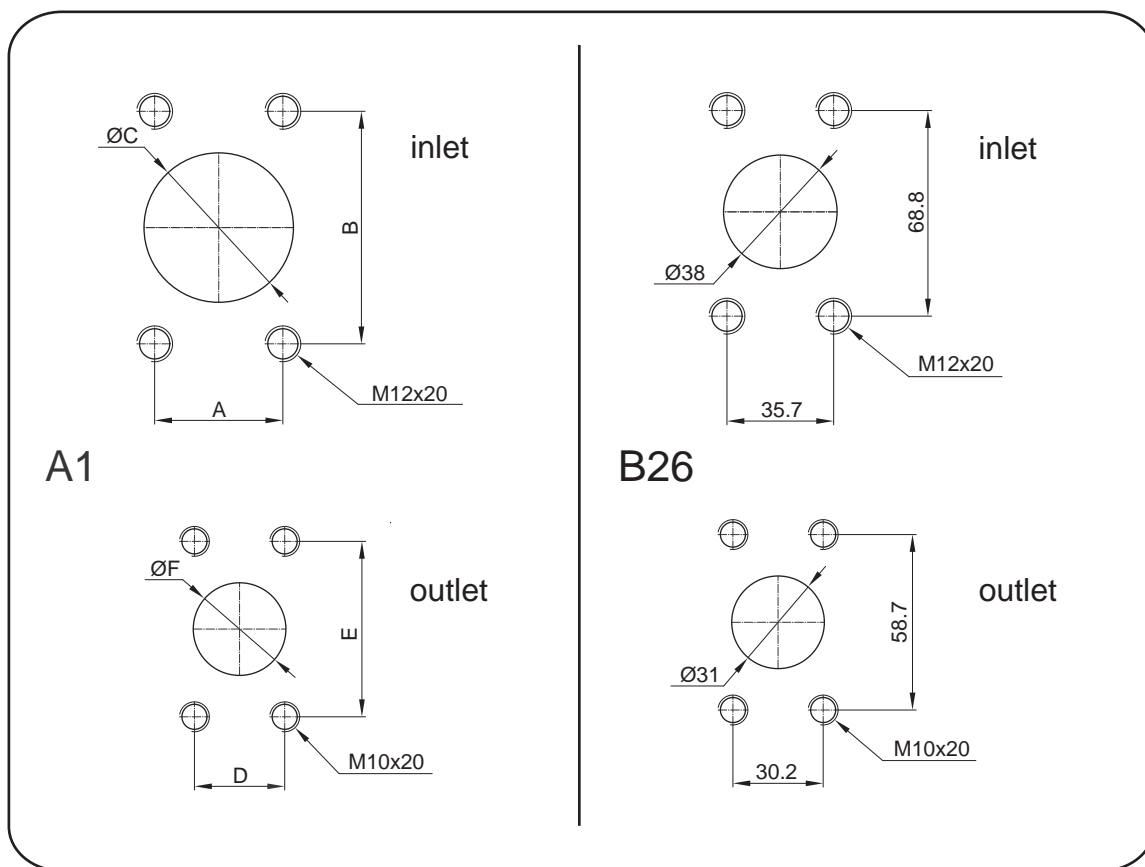
code 3



code 4



code 5



SERIES	INLET: A1			OUTLET: A1		
	A	B	C	D	E	F
32045	69,8	35,7	38	30,2	52,4	31
32055	69,8	35,7	38	30,2	52,4	31
32063	69,8	35,7	38	30,2	52,4	31
32072	69,8	35,7	38	30,2	58,7	31
32085	69,8	35,7	38	30,2	58,7	31
32100	69,8	35,7	38	30,2	58,7	31